



Power contactor, AC-3 7 A, 3 kW / 400 V 1 NC, 24 V DC 3-pole, Size S00 screw terminal

product brand name	SIRIUS
product designation	Power contactor
product type designation	3RT2
General technical data	
size of contactor	S00
product extension	
<ul style="list-style-type: none"> function module for communication auxiliary switch 	<p>No</p> <p>Yes</p>
power loss [W] for rated value of the current at AC in hot operating state	1.2 W
<ul style="list-style-type: none"> per pole 	0.4 W
power loss [W] for rated value of the current without load current share typical	4 W
surge voltage resistance	
<ul style="list-style-type: none"> of main circuit rated value of auxiliary circuit rated value 	<p>6 kV</p> <p>6 kV</p>
maximum permissible voltage for safe isolation between coil and main contacts acc. to EN 60947-1	400 V
shock resistance at rectangular impulse	
<ul style="list-style-type: none"> at DC 	6,7g / 5 ms, 4,2g / 10 ms
shock resistance with sine pulse	
<ul style="list-style-type: none"> at DC 	10,5g / 5 ms, 6,6g / 10 ms
mechanical service life (switching cycles)	
<ul style="list-style-type: none"> of contactor typical of the contactor with added electronically optimized auxiliary switch block typical of the contactor with added auxiliary switch block typical 	<p>30 000 000</p> <p>5 000 000</p> <p>10 000 000</p>
reference code acc. to IEC 81346-2	Q
Substance Prohibitance (Date)	01.10.2009 00:00:00
Ambient conditions	
installation altitude at height above sea level maximum	2 000 m
ambient temperature	
<ul style="list-style-type: none"> during operation during storage 	<p>-25 ... +60 °C</p> <p>-55 ... +80 °C</p>
Main circuit	
number of poles for main current circuit	3
number of NO contacts for main contacts	3
operating voltage at AC-3 rated value maximum	690 V

operational current	
<ul style="list-style-type: none"> ● at AC-1 at 400 V at ambient temperature 40 °C rated value 	18 A
<ul style="list-style-type: none"> ● at AC-1 <ul style="list-style-type: none"> — up to 690 V at ambient temperature 40 °C rated value 	18 A
<ul style="list-style-type: none"> — up to 690 V at ambient temperature 60 °C rated value 	16 A
<ul style="list-style-type: none"> ● at AC-3 <ul style="list-style-type: none"> — at 400 V rated value 	7 A
<ul style="list-style-type: none"> — at 500 V rated value 	6 A
<ul style="list-style-type: none"> — at 690 V rated value 	4.9 A
<ul style="list-style-type: none"> ● at AC-4 at 400 V rated value 	6.5 A
<ul style="list-style-type: none"> ● at AC-5a up to 690 V rated value 	15.8 A
<ul style="list-style-type: none"> ● at AC-5b up to 400 V rated value 	5.8 A
<ul style="list-style-type: none"> ● at AC-6a <ul style="list-style-type: none"> — up to 230 V for current peak value n=20 rated value 	4 A
<ul style="list-style-type: none"> — up to 400 V for current peak value n=20 rated value 	4 A
<ul style="list-style-type: none"> — up to 500 V for current peak value n=20 rated value 	3.8 A
<ul style="list-style-type: none"> — up to 690 V for current peak value n=20 rated value 	3.6 A
<ul style="list-style-type: none"> ● at AC-6a <ul style="list-style-type: none"> — up to 230 V for current peak value n=30 rated value 	2.7 A
<ul style="list-style-type: none"> — up to 400 V for current peak value n=30 rated value 	2.7 A
<ul style="list-style-type: none"> — up to 500 V for current peak value n=30 rated value 	2.5 A
<ul style="list-style-type: none"> — up to 690 V for current peak value n=30 rated value 	2.4 A
minimum cross-section in main circuit at maximum AC-1 rated value	2.5 mm ²
operational current for approx. 200000 operating cycles at AC-4	
<ul style="list-style-type: none"> ● at 400 V rated value 	2.6 A
<ul style="list-style-type: none"> ● at 690 V rated value 	1.8 A
operational current	
<ul style="list-style-type: none"> ● at 1 current path at DC-1 <ul style="list-style-type: none"> — at 24 V rated value 	15 A
<ul style="list-style-type: none"> — at 110 V rated value 	1.5 A
<ul style="list-style-type: none"> — at 220 V rated value 	0.6 A
<ul style="list-style-type: none"> — at 440 V rated value 	0.42 A
<ul style="list-style-type: none"> — at 600 V rated value 	0.42 A
<ul style="list-style-type: none"> ● with 2 current paths in series at DC-1 <ul style="list-style-type: none"> — at 24 V rated value 	15 A
<ul style="list-style-type: none"> — at 110 V rated value 	8.4 A
<ul style="list-style-type: none"> — at 220 V rated value 	1.2 A
<ul style="list-style-type: none"> — at 440 V rated value 	0.6 A
<ul style="list-style-type: none"> — at 600 V rated value 	0.5 A
<ul style="list-style-type: none"> ● with 3 current paths in series at DC-1 <ul style="list-style-type: none"> — at 24 V rated value 	15 A
<ul style="list-style-type: none"> — at 110 V rated value 	15 A
<ul style="list-style-type: none"> — at 220 V rated value 	15 A
<ul style="list-style-type: none"> — at 440 V rated value 	0.9 A
<ul style="list-style-type: none"> — at 600 V rated value 	0.7 A
operational current	
<ul style="list-style-type: none"> ● at 1 current path at DC-3 at DC-5 <ul style="list-style-type: none"> — at 24 V rated value 	15 A

<ul style="list-style-type: none"> — at 110 V rated value ● with 2 current paths in series at DC-3 at DC-5 <ul style="list-style-type: none"> — at 24 V rated value — at 110 V rated value ● with 3 current paths in series at DC-3 at DC-5 <ul style="list-style-type: none"> — at 24 V rated value — at 110 V rated value — at 220 V rated value — at 440 V rated value — at 600 V rated value 	0.1 A 15 A 0.25 A 15 A 15 A 1.2 A 0.14 A 0.14 A
operating power <ul style="list-style-type: none"> ● at AC-3 <ul style="list-style-type: none"> — at 230 V rated value — at 400 V rated value — at 500 V rated value — at 690 V rated value 	1.5 kW 3 kW 3 kW 4 kW
operating power for approx. 200000 operating cycles at AC-4 <ul style="list-style-type: none"> ● at 400 V rated value ● at 690 V rated value 	1.15 kW 1.15 kW
operating apparent power at AC-6a <ul style="list-style-type: none"> ● up to 230 V for current peak value n=20 rated value ● up to 400 V for current peak value n=20 rated value ● up to 500 V for current peak value n=20 rated value ● up to 690 V for current peak value n=20 rated value 	1.5 kV·A 2.7 kV·A 3.3 kV·A 4.3 kV·A
operating apparent power at AC-6a <ul style="list-style-type: none"> ● up to 230 V for current peak value n=30 rated value ● up to 400 V for current peak value n=30 rated value ● up to 500 V for current peak value n=30 rated value ● up to 690 V for current peak value n=30 rated value 	1 kV·A 1.8 kV·A 2.2 kV·A 2.9 kV·A
short-time withstand current in cold operating state up to 40 °C <ul style="list-style-type: none"> ● limited to 1 s switching at zero current maximum ● limited to 5 s switching at zero current maximum ● limited to 10 s switching at zero current maximum ● limited to 30 s switching at zero current maximum ● limited to 60 s switching at zero current maximum 	120 A; Use minimum cross-section acc. to AC-1 rated value 86 A; Use minimum cross-section acc. to AC-1 rated value 67 A; Use minimum cross-section acc. to AC-1 rated value 52 A; Use minimum cross-section acc. to AC-1 rated value 43 A; Use minimum cross-section acc. to AC-1 rated value
no-load switching frequency <ul style="list-style-type: none"> ● at DC 	10 000 1/h
operating frequency <ul style="list-style-type: none"> ● at AC-1 maximum ● at AC-2 maximum ● at AC-3 maximum ● at AC-4 maximum 	1 000 1/h 750 1/h 750 1/h 250 1/h
Control circuit/ Control	
type of voltage of the control supply voltage	DC
control supply voltage at DC <ul style="list-style-type: none"> ● rated value 	24 V
operating range factor control supply voltage rated value of magnet coil at DC <ul style="list-style-type: none"> ● initial value ● full-scale value 	0.8 1.1
closing power of magnet coil at DC	4 W
holding power of magnet coil at DC	4 W
closing delay <ul style="list-style-type: none"> ● at DC 	30 ... 100 ms
opening delay <ul style="list-style-type: none"> ● at DC 	7 ... 13 ms
arcing time	10 ... 15 ms

control version of the switch operating mechanism	Standard A1 - A2
Auxiliary circuit	
number of NC contacts for auxiliary contacts instantaneous contact	1
operational current at AC-12 maximum	10 A
operational current at AC-15	
• at 230 V rated value	10 A
• at 400 V rated value	3 A
• at 500 V rated value	2 A
• at 690 V rated value	1 A
operational current at DC-12	
• at 24 V rated value	10 A
• at 48 V rated value	6 A
• at 60 V rated value	6 A
• at 110 V rated value	3 A
• at 125 V rated value	2 A
• at 220 V rated value	1 A
• at 600 V rated value	0.15 A
operational current at DC-13	
• at 24 V rated value	10 A
• at 48 V rated value	2 A
• at 60 V rated value	2 A
• at 110 V rated value	1 A
• at 125 V rated value	0.9 A
• at 220 V rated value	0.3 A
• at 600 V rated value	0.1 A
contact reliability of auxiliary contacts	1 faulty switching per 100 million (17 V, 1 mA)
UL/CSA ratings	
full-load current (FLA) for 3-phase AC motor	
• at 480 V rated value	4.8 A
• at 600 V rated value	6.1 A
yielded mechanical performance [hp]	
• for single-phase AC motor	
— at 110/120 V rated value	0.25 hp
— at 230 V rated value	0.75 hp
• for 3-phase AC motor	
— at 200/208 V rated value	1.5 hp
— at 220/230 V rated value	2 hp
— at 460/480 V rated value	3 hp
— at 575/600 V rated value	5 hp
contact rating of auxiliary contacts according to UL	A600 / Q600
Short-circuit protection	
design of the fuse link	
• for short-circuit protection of the main circuit	
— with type of coordination 1 required	gG: 35A (690V,100kA), aM: 20A (690V,100kA), BS88: 35A (415V,80kA)
— with type of assignment 2 required	gG: 20A (690V,100kA), aM: 16A (690V, 100kA), BS88: 20A (415V, 80kA)
• for short-circuit protection of the auxiliary switch required	gG: 10 A (500 V, 1 kA)
Installation/ mounting/ dimensions	
mounting position	+/-180° rotation possible on vertical mounting surface; can be tilted forward and backward by +/- 22.5° on vertical mounting surface
fastening method	screw and snap-on mounting onto 35 mm standard mounting rail according to DIN EN 60715
• side-by-side mounting	Yes
height	58 mm
width	45 mm
depth	73 mm
required spacing	

<ul style="list-style-type: none"> ● with side-by-side mounting <ul style="list-style-type: none"> — forwards — upwards — downwards — at the side ● for grounded parts <ul style="list-style-type: none"> — forwards — upwards — at the side — downwards ● for live parts <ul style="list-style-type: none"> — forwards — upwards — downwards — at the side 	10 mm 10 mm 10 mm 0 mm 10 mm 10 mm 6 mm 10 mm 10 mm 10 mm 10 mm 6 mm
Connections/ Terminals	
type of electrical connection <ul style="list-style-type: none"> ● for main current circuit ● for auxiliary and control circuit ● at contactor for auxiliary contacts ● of magnet coil 	screw-type terminals screw-type terminals Screw-type terminals Screw-type terminals
type of connectable conductor cross-sections <ul style="list-style-type: none"> ● for main contacts <ul style="list-style-type: none"> — solid — solid or stranded — finely stranded with core end processing ● at AWG cables for main contacts 	2x (0.5 ... 1.5 mm ²), 2x (0.75 ... 2.5 mm ²), 2x 4 mm ² 2x (0,5 ... 1,5 mm ²), 2x (0,75 ... 2,5 mm ²), 2x 4 mm ² 2x (0.5 ... 1.5 mm ²), 2x (0.75 ... 2.5 mm ²) 2x (20 ... 16), 2x (18 ... 14), 2x 12
connectable conductor cross-section for main contacts <ul style="list-style-type: none"> ● solid ● stranded ● finely stranded with core end processing 	0.5 ... 4 mm ² 0.5 ... 4 mm ² 0.5 ... 2.5 mm ²
connectable conductor cross-section for auxiliary contacts <ul style="list-style-type: none"> ● solid or stranded ● finely stranded with core end processing 	0.5 ... 4 mm ² 0.5 ... 2.5 mm ²
type of connectable conductor cross-sections <ul style="list-style-type: none"> ● for auxiliary contacts <ul style="list-style-type: none"> — solid or stranded — finely stranded with core end processing ● at AWG cables for auxiliary contacts 	2x (0,5 ... 1,5 mm ²), 2x (0,75 ... 2,5 mm ²), 2x 4 mm ² 2x (0.5 ... 1.5 mm ²), 2x (0.75 ... 2.5 mm ²) 2x (20 ... 16), 2x (18 ... 14), 2x 12
AWG number as coded connectable conductor cross section <ul style="list-style-type: none"> ● for main contacts ● for auxiliary contacts 	20 ... 12 20 ... 12
Safety related data	
product function mirror contact acc. to IEC 60947-4-1	Yes
B10 value with high demand rate acc. to SN 31920	1 000 000
proportion of dangerous failures <ul style="list-style-type: none"> ● with low demand rate acc. to SN 31920 ● with high demand rate acc. to SN 31920 	40 % 73 %
failure rate [FIT] with low demand rate acc. to SN 31920	100 FIT
T1 value for proof test interval or service life acc. to IEC 61508	20 y
protection class IP on the front acc. to IEC 60529	IP20
touch protection on the front acc. to IEC 60529	finger-safe, for vertical contact from the front
suitability for use <ul style="list-style-type: none"> ● safety-related switching on ● safety-related switching OFF 	Yes Yes

Certificates/ approvals

General Product Approval

EMC



[KC](#)



Declaration of Conformity

Test Certificates

Marine / Shipping

[Miscellaneous](#)



[Special Test Certificate](#)

[Type Test Certificates/Test Report](#)



Marine / Shipping

other



[Confirmation](#)

Further information

Information- and Downloadcenter (Catalogs, Brochures,...)

<https://www.siemens.com/ic10>

Industry Mall (Online ordering system)

<https://mall.industry.siemens.com/mall/en/en/Catalog/product?mlfb=3RT2015-1BB42>

Cax online generator

<http://support.automation.siemens.com/WW/CAXorder/default.aspx?lang=en&mlfb=3RT2015-1BB42>

Service&Support (Manuals, Certificates, Characteristics, FAQs,...)

<https://support.industry.siemens.com/cs/ww/en/ps/3RT2015-1BB42>

Image database (product images, 2D dimension drawings, 3D models, device circuit diagrams, EPLAN macros, ...)

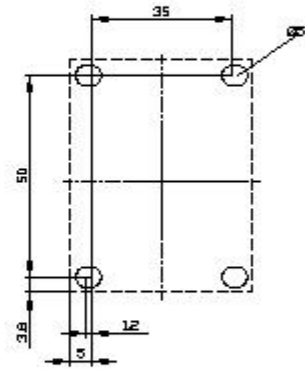
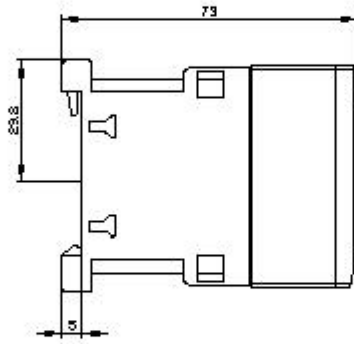
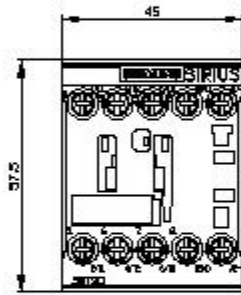
http://www.automation.siemens.com/bilddb/cax_de.aspx?mlfb=3RT2015-1BB42&lang=en

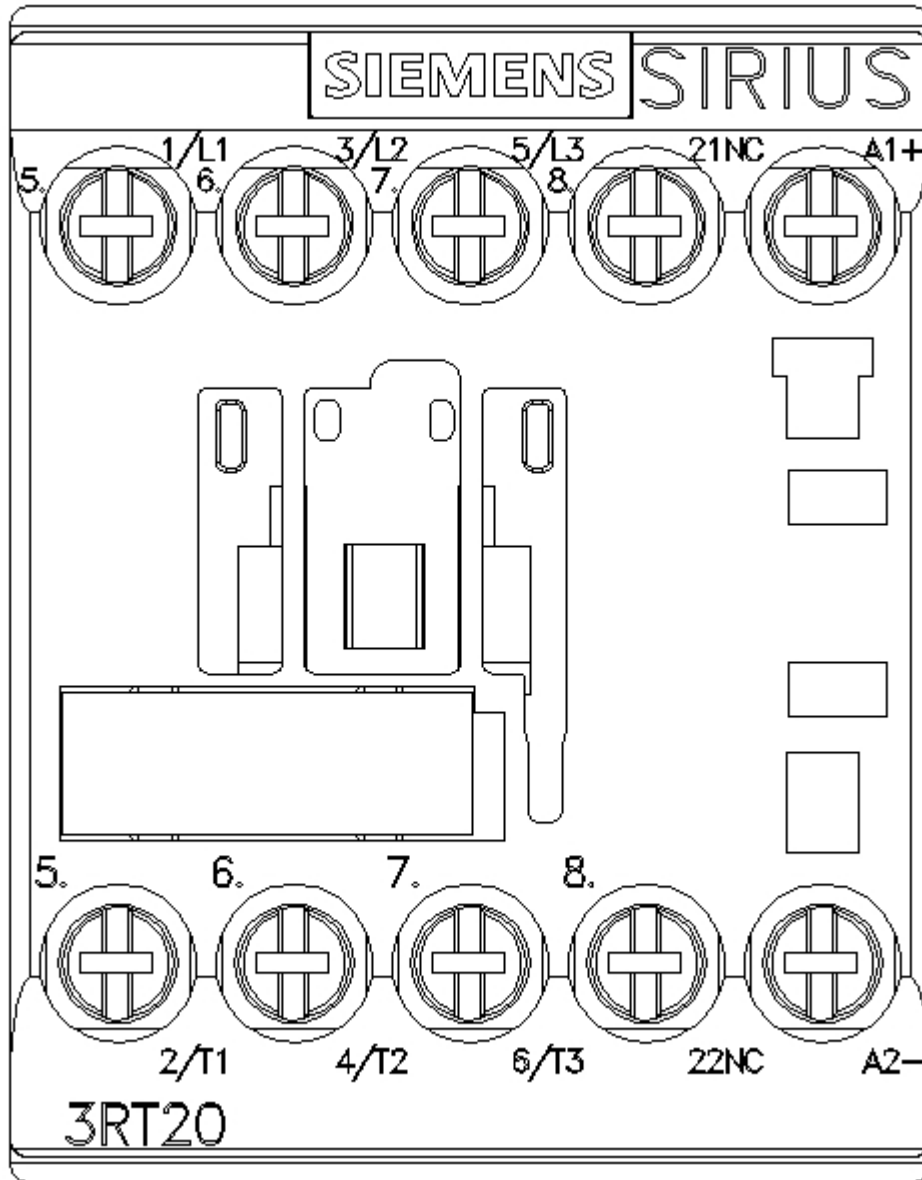
Characteristic: Tripping characteristics, I^2t , Let-through current

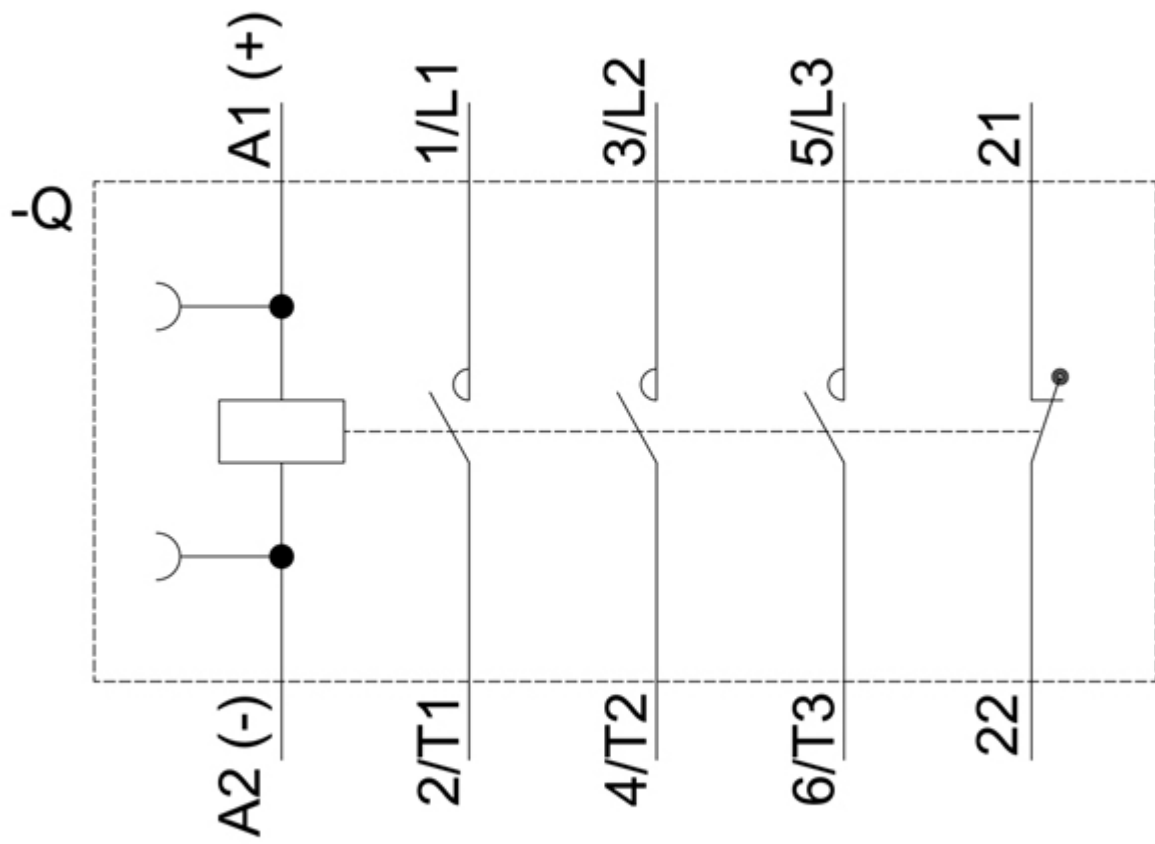
<https://support.industry.siemens.com/cs/ww/en/ps/3RT2015-1BB42/char>

Further characteristics (e.g. electrical endurance, switching frequency)

<http://www.automation.siemens.com/bilddb/index.aspx?view=Search&mlfb=3RT2015-1BB42&objecttype=14&gridview=view1>







last modified:

1/15/2021 